

Deflectable Curves

Standard Insertion Lengths

5F 80 cm

6F 92 cm

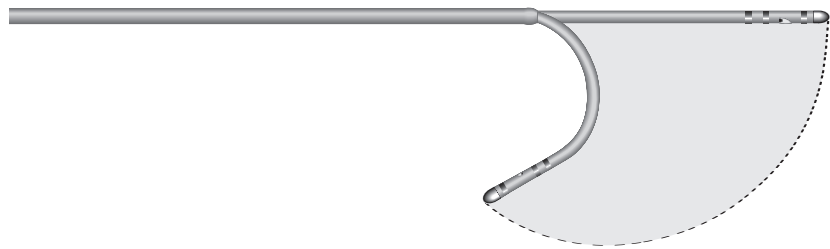
7F 115 cm

8F 90 cm

A Curve

(Yellow / 1.5" / 3.8 cm)

CELSIUS® Catheter

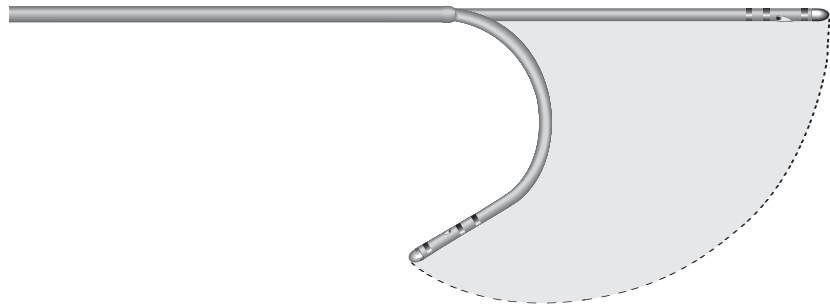


B Curve

(Red / 2.0" / 5.1 cm)

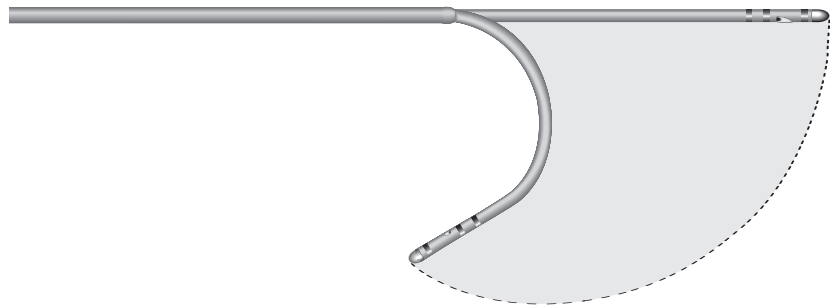
QWIKSTAR® Catheter

CELSIUS® Catheter



NAVI STAR® Catheter B Curve

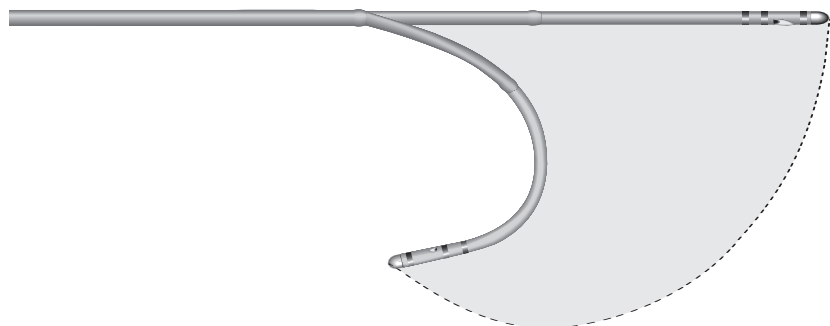
(Red / 2.0" / 5.1 cm)



C Curve

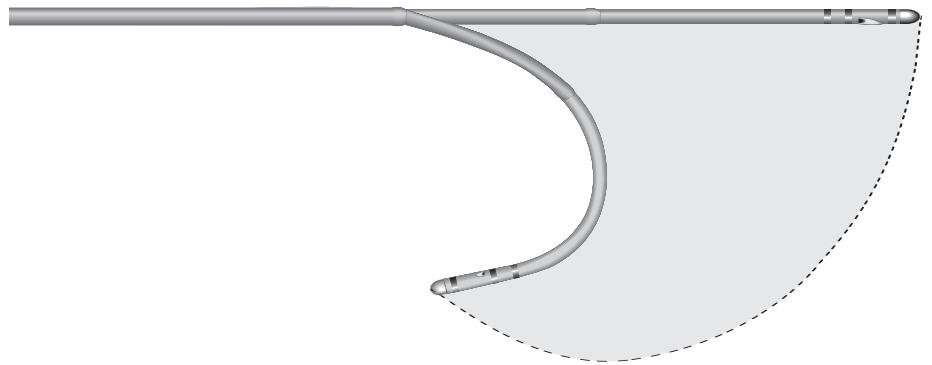
(Green / 2.5" S / 6.4 cm)

CELSIUS® Catheter

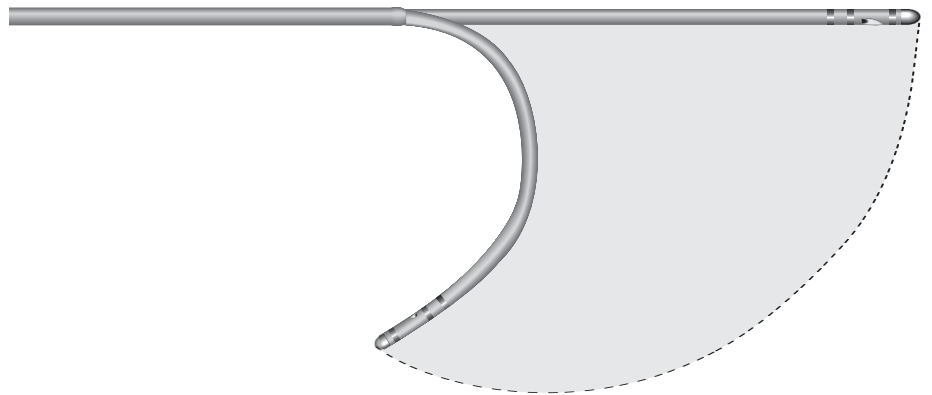


Deflectable Curves

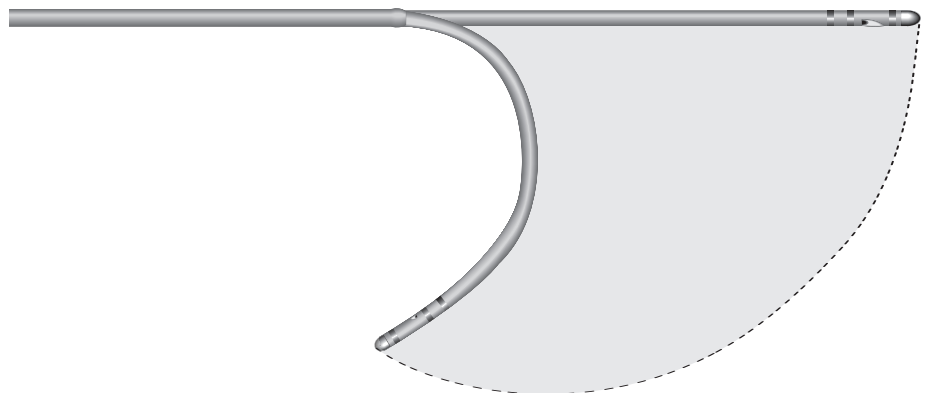
NAVISTAR® Catheter C Curve
(Green / 2.5" S / 6.4 cm)



D Curve
(Blue / 2.5" / 6.4 cm)
QWIKSTAR® Catheter
CELSIUS® Catheter



NAVISTAR® Catheter D Curve
(Blue / 2.5" / 6.4 cm)

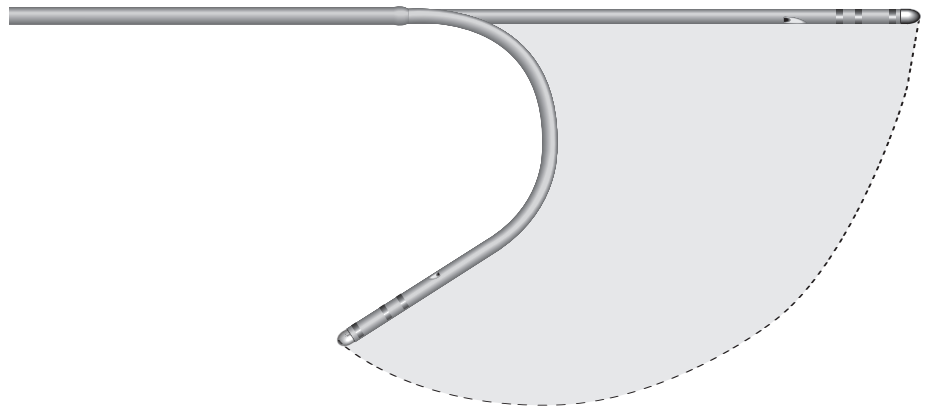


Deflectable Curves

E Curve

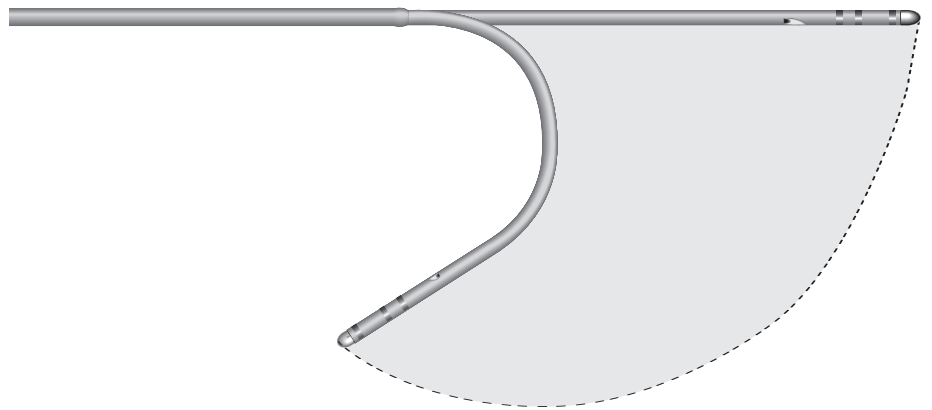
(White / 2.5" P / 6.4 cm)

CELSIUS® Catheter



NAVISTAR® Catheter E Curve

(White / 2.5" P / 6.4 cm)

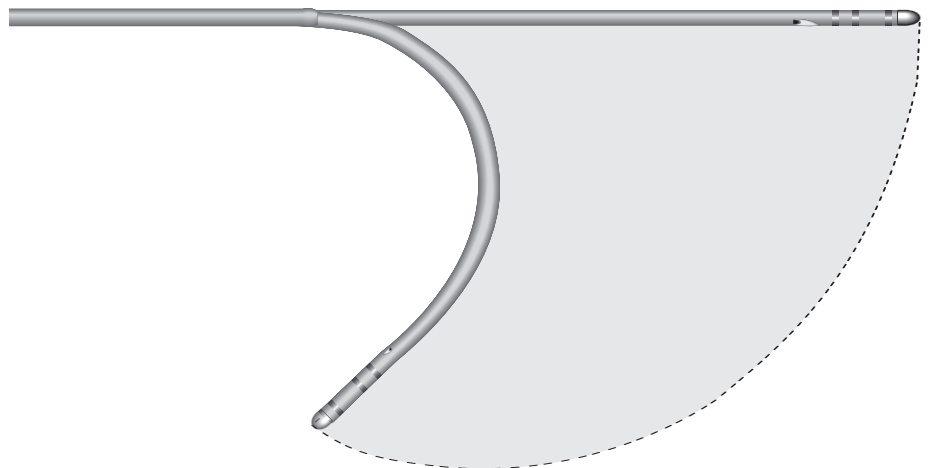


F Curve

(Orange / 3.0" P / 7.6 cm)

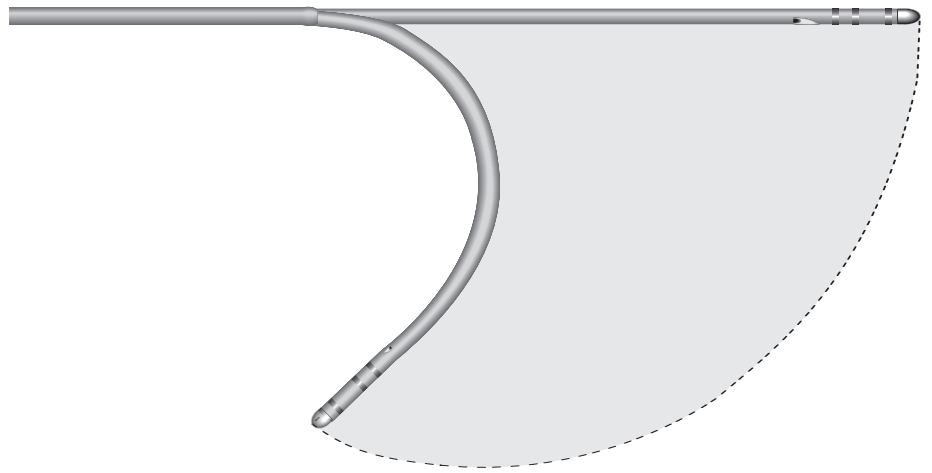
QWIKSTAR® Catheter

CELSIUS® Catheter

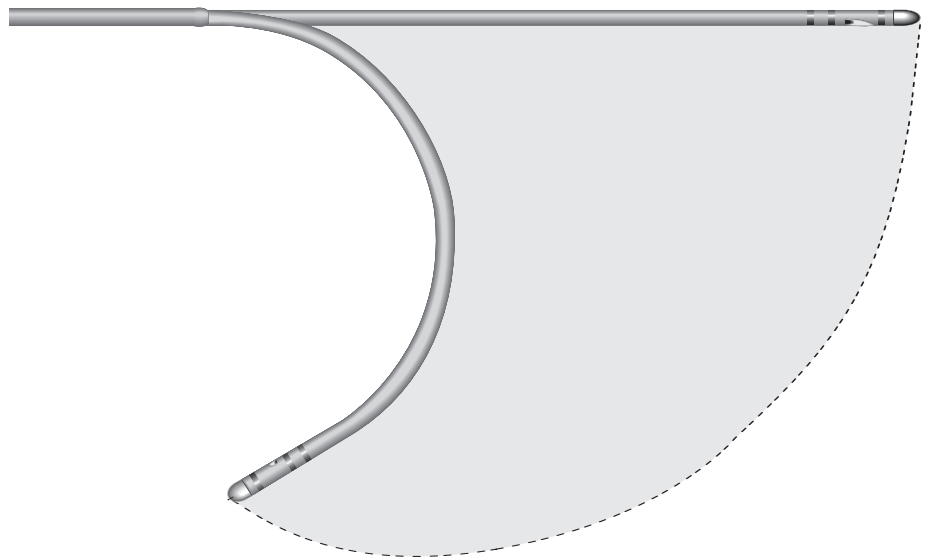


Deflectable Curves

NAVISTAR® Catheter F Curve
(Orange / 3.0" P / 7.6 cm)



G Curve
(Gray / 3.5" / 8.9 cm)
CELSIUS® Catheter

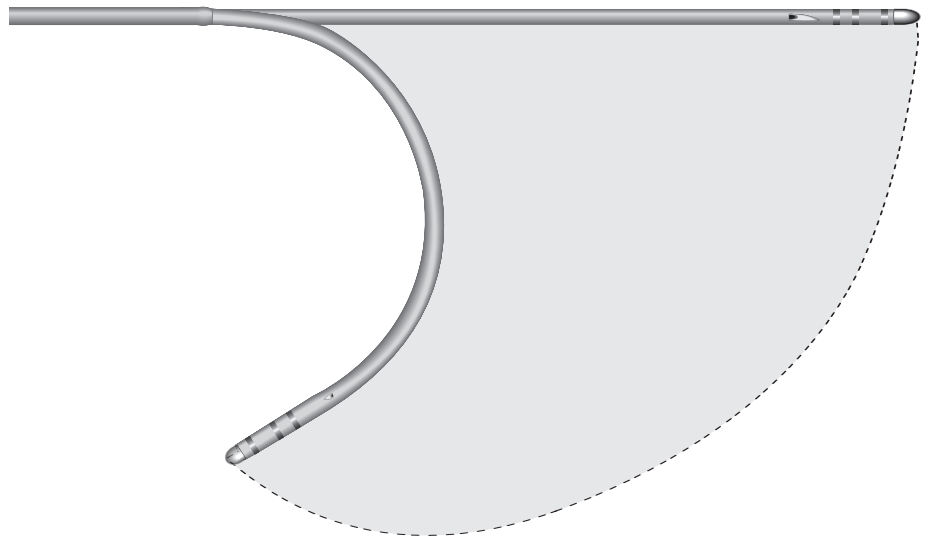


Deflectable Curves

H Curve

(Brown / 3.5" P / 8.9 cm)

CELSIUS® Catheter

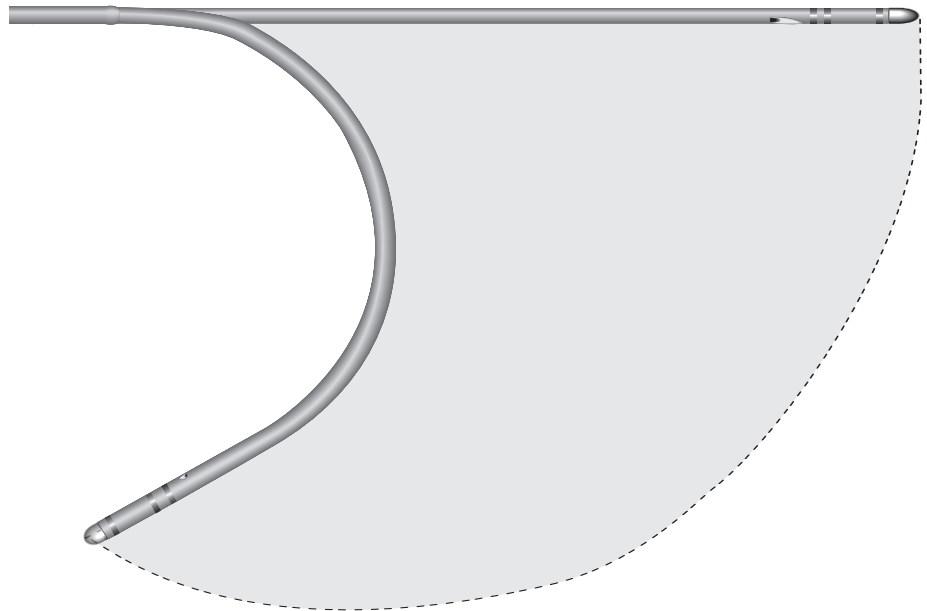


J Curve

(Black / 4.0" P / 10.2 cm)

QWIKSTAR® Catheter

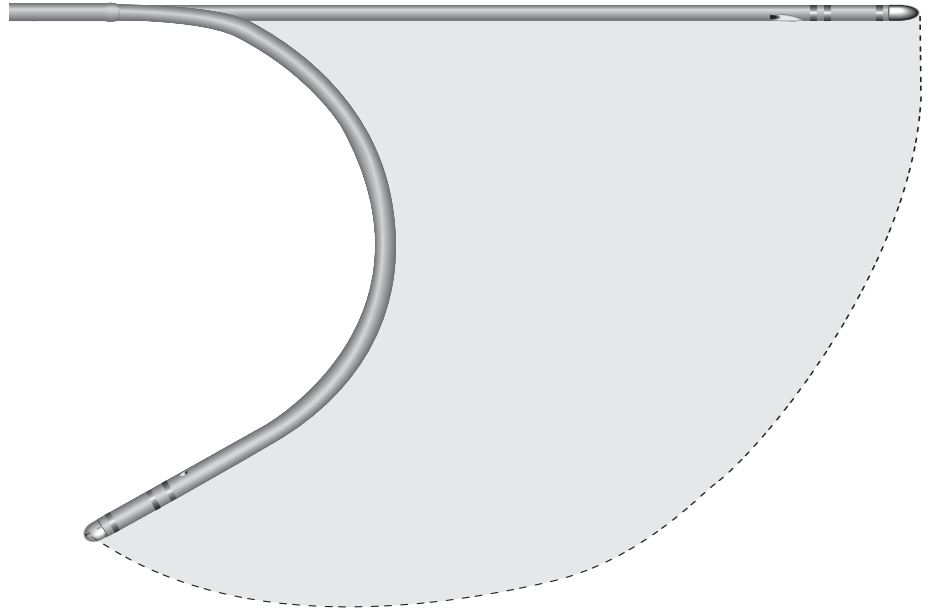
CELSIUS® Catheter



Deflectable Curves

NAVISTAR® Catheter J Curve

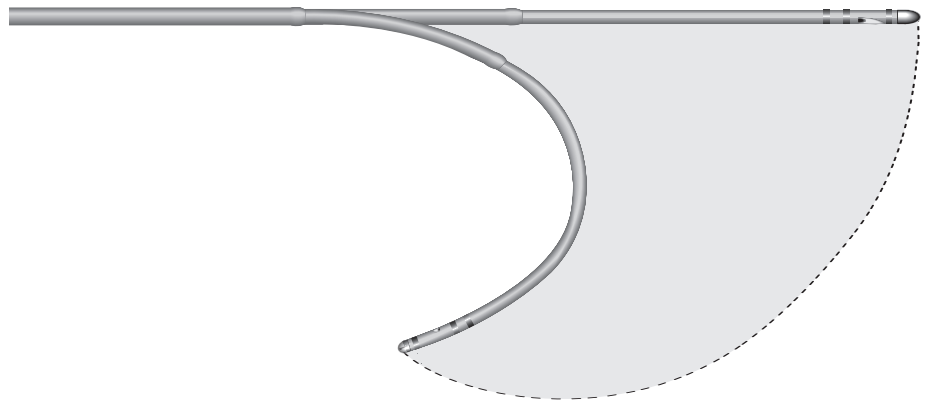
(Black / 4.0° P / 10.2 cm)



K Curve

(Black / 3.0° S / 7.6 cm)

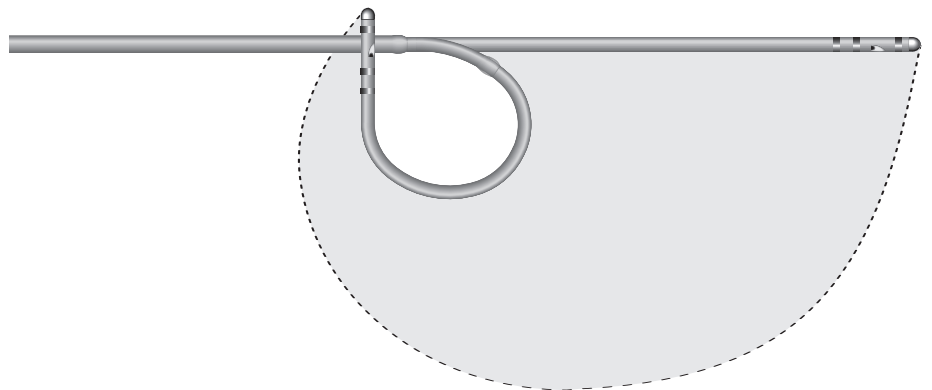
CELSIUS® Catheter



270° Curve

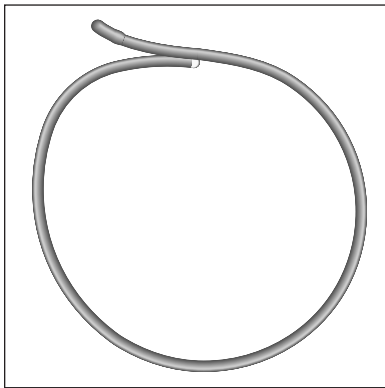
(Purple)

CELSIUS® Catheter



Deflectable Curves

HALO® XP Catheter Curve

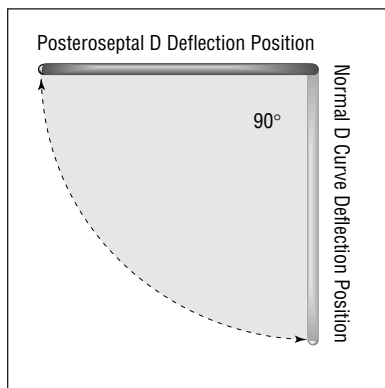


End View
(shown at 75% of actual size)

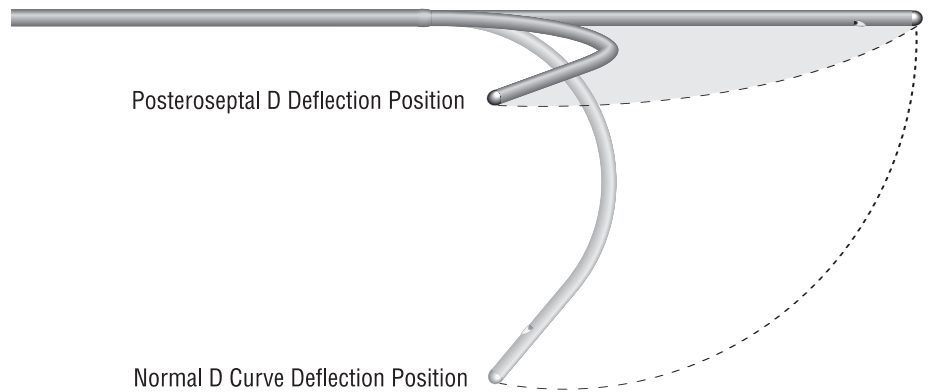


Posteroseptal D Curve

(Blue with Red band)

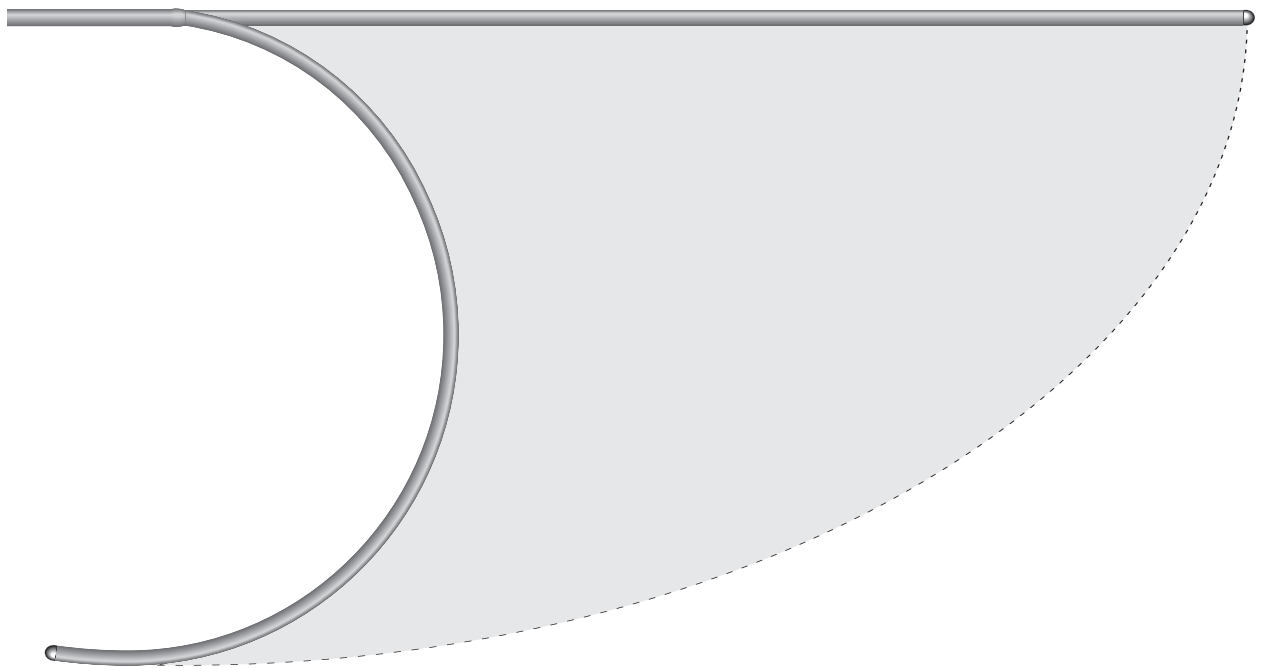


End View
(shown at 75% of actual size)

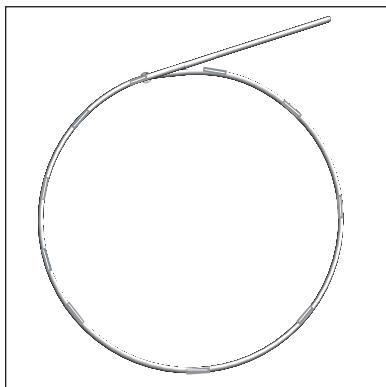


Deflectable Curves

ISMUS™ CATH Catheter Curve



LASSO® Catheter Curve



End View

